

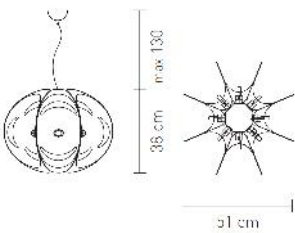


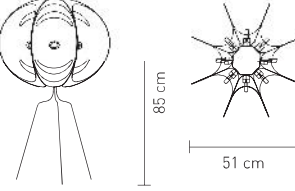


ATLANTE

design by Nigel Coates

Compendium page 286

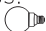


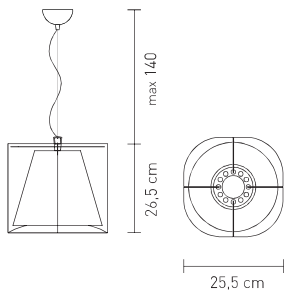
PRODUCT	SIZE	COLOUR	CODE	PRICE
<p>SUSPENSION</p> <p>Bulbs:  8 X 15W max - E14 - IBC/C</p> <p>Made of: Cristalflex®</p> <p>With: Bulb Included</p> <p>Weight: netto Kg 2,35 lordo Kg 4,00</p> <p>Package: 55 x 55 x h42cm</p> <p>CE IP 20 </p>		FUMÉ	<p>ATL14SOS0001F_000</p> <p>EAN: 8024727039763</p>	€ 450,00
<p>FLOOR-TABLE LAMP</p> <p>Bulbs:  8 X 15W max - E14 - IBC/C</p> <p>Made of: Cristalflex®</p> <p>With: Stainless steel legs Bulb Included</p> <p>Weight: netto Kg 3,30 lordo Kg 6,60</p> <p>Package: 61 x 61 x h63cm</p> <p>CE IP 20 </p>		FUMÉ	<p>ATL14TAV0000F</p> <p>EAN: 8024727039213</p>	€ 580,00

Prices in EUROS and subject to change

HARRIS

design by Francesco Piretti

Compendium page 288

PRODUCT	SIZE	COLOUR	CODE	PRICE
<p>SUSPENSION</p> <p>Bulbs:  1 X 24W - E27 - FBG or  1 X 75W max - E27 - Halogen</p> <p>Made of: Opalflex® / Cristalflex® / Polycarbonate</p> <p>Weight: netto Kg 1,00 lordo Kg 1,70</p> <p>Package: 29 x 28 x h36cm</p> <p>CE IP 20 </p>		<p>AMETHYST</p> <p>QUARTZ</p> <p>AMBER</p> <p>AQUAMARINE</p>	<p>HAR42SOS0000HT</p> <p>EAN: 8024727038971</p> <p>HAR42SOS0000WT</p> <p>EAN: 8024727038964</p> <p>HAR42SOS0000AT</p> <p>EAN: 8024727038988</p> <p>HAR42SOS0000BT</p> <p>EAN: 8024727038995</p>	<p>€ 220,00</p> <p>€ 220,00</p> <p>€ 220,00</p> <p>€ 220,00</p>